

**CATA** | **LOGO** **2025**

The logo for Divine Cabinetry features a thin, curved line above the word "DIVINE" in a serif font, with "CABINETS" in a smaller, sans-serif font below it.

**DIVINE**  
CABINETS

**WE PROVIDE** thoughtful products and exceptional service. We provide premium cabinets for customers who are looking for affordability, convenience, and variety in their projects. We are committed to continually improve both the product quality and the design style with customers' needs in mind. As our own manufacturer, we are able to maintain quality control and strict supervision over our cabinet production process through high-tech machinery and detailed hand-crafting.

**WE HIRE** staff who share our commitment to crafting a product that combines beauty with precision and functionality. Over 100 dedicated tradespeople, craftspeople, technical experts, and customer service specialists proudly build Divine Cabinetry products – a team of professionals who share a passion and commitment to their craft.

**WE BELIEVE** success would come only by offering customers the very best service, selection, quality and value. We strive to be one of the leading providers of cabinetry throughout the country. We aim to become one of your best partners.

Company

# PROFILE

## INDEX

00	COMPANY PROFILE
02	PREMIUM 10™
06	THE FINEST FURNITURE FINISHES
<hr/>	
08	MARINO
14	HUDSON
28	MIDTOWN
36	SONOMA
46	OXFORD
<hr/>	
52	FRAME CABINET COLLECTION
54	BASE CABINET
58	SINK BASE & VANITY CABINET
60	WALL CABINET
68	PANTRY
69	OVEN CABINET
70	SPECIALTY & PARTS
72	PANEL
74	DECOR & MOLDING
76	MOLDING INSTALLATION GUIDE
78	FILLER
79	DUMMY DOOR
80	DECORATION INSTALLATION GUIDE
82	GLASS DOOR
83	ACCESSORIES
84	MARKETING TOOL
<hr/>	
85	WARRENTY
86	FAUCET COLLECTION
90	SINK COLLECTION
94	HANDLE COLLECTION
96	ORGANIZER COLLECTION

## QUALITY REDEFINED

High-quality kitchen cabinets have at least 10 characteristics that contribute to their long lifespan. The best kitchen cabinets will be durable and beautiful for many years to come. Unfortunately, some cabinets have problems in as little as a year or two. Issues like crooked doors, sagging drawers, scratched faces, loose hinges etc. That's why it is important to choose the best kitchen cabinets with high-quality construction. As you shop for cabinets and compare cabinet costs, look for the following construction features.



## QUALITY SOURCED LUMBER

High-quality cabinets standard requires the use of carefully selected top-grade lumber, ensuring the finest and most dependable kitchen cabinets. To meet this requirement, a cabinetry company must implement a rigorous inspection process to assure that only first-class products are built.

## FULLY-ASSEMBLED CABINETS

Divine Cabinetry offers both fully-assembled and ready-to-assemble cabinets in our popular designer line, whichever is more convenient for you. The cabinets are shipped directly to you, ready-to-install. Factory construction methods join wood parts using dovetail joints, hot & cold glue, power fasteners and other industrial techniques. In this wood-to-wood construction, the pieces bond on a microscopic level, creating a quality kitchen cabinet with strength.

## QUALITY CABINET BOXES

Captured and integrated brace construction creates a quality cabinet box. This increases stability during shipping and installation and provides long-term cabinet strength. Unless integrated with the cabinet side, gussets add no strength or structural integrity to the cabinet. Captured, or integrated, braces also make base cabinets much easier to move into position when installing. This integrated construction style provides great strength and stability, especially when moving and installing cabinets.

## BEAUTY OF REAL WOOD CABINETRY

Maple is a strong, fine-grained wood this is mainly off-white in color, although it may contain light hues of yellow-brown or pink. It may also contain natural imperfections which add character and uniqueness to the wood. The craftsmanship of these cabinets is really in the beauty that they give to a home. With a ten step process, the quality is sure to shine. You can be confident that your new cabinets will stand up to everyday use.

## LONG-LASTING QUALITY CABINET FRAMES

Long-lasting, quality cabinet frames provide stability. Face frames keep the cabinet box square during shipping and installation. Professional cabinet installers often charge more to install frameless cabinets, because it is more time-consuming. This is because frameless cabinetry requires very precise installation. Solid hardwood is unique in its color, texture, and grain patterns. This includes mineral streaks and knots. These natural variations add to hardwood's distinctive appeal and beauty. Hardwood is durable, resilient, and easy to repair.

#### **DURABLE FULL-HEIGHT PLYWOOD BACK PANEL**

For strength and ease of installation, quality kitchen cabinets have a durable, full-height back panel. A full back panel allows the cabinet to be directly attached to wall studs at any point on the cabinet back. If installation requires the cabinet be cut around ductwork, plumbing or electrical, the modification will be simpler on the full back. The back is secured with hot glue, nails and a rabbet joint. Extending the panel from the top of the cabinet to the bottom eliminates gaps or spaces and provides additional strength.

#### **SOFT-CLOSE DOOR HINGES**

All of Divine Cabinets have soft-close door hinges. This means they have been tested to withstand 65 pounds of weight and operated through 25,000 open and close cycles. Divine provides a limited lifetime warranty on all door hinges. Divine cabinets feature Germany softclose hinges. They are 6-way adjustable, concealed, nickel plated steel, with a 107 degree opening. They have a limited lifetime warranty.

#### **TOEKICK**

The toekick area is the space where the cabinet meets the floor. It provides space for your feet when standing at the counter. Divine Cabinetry use fully-captured dado joints, hot glue and more to create the strongest base for heavy countertops.

A decorative panel applied post-construction provides a finished look. After installation, applying a finished toekick panel completes the look.

A quality kitchen cabinet with a solid, full-length plywood back panel and plywood cabinet sides forms a natural toekick panel.

#### **DOVETAIL DRAWER BOX CONSTRUCTION**

Divine Cabinetry knows the bottom of the drawer must support the weight of the drawer contents.

Hardwood drawer boxes with dovetail joints have become the standard for premium quality cabinetry. This is due to the long-lasting strength, durability and beauty of the dovetail joint. A strong plywood drawer bottom is glued and nailed in place. Every drawer bottom is fully captured on all four sides in grooved joints.

Divine feature Germany soft-close hinges. They are 6-way adjustable, concealed, nickel plated steel, with a 107 degree opening. They have a limited lifetime warranty.

#### **SOFT-CLOSE DRAWER GLIDES**

Divine assures you that our products have been tested for quality. Each drawer glide can withstand 15 pounds per square foot of drawer space. They can also be operated through 25,000 open and close cycles. Divine provides a limited lifetime warranty on drawer glides. Divine features full-access, soft-close steel undermount guides. The ball-bearing glide is concealed beneath the drawer box supporting up to 100 lbs. The glide uses a dampening system that is almost silent when opening and closing your drawer.



# THE FINEST FURNITURE FINISHES

**THE FINEST MAPLE WOOD** is sanded until smooth and vacuumed.

**AN EQUALIZER STAIN** is applied to balance the base color of the wood.

**A TONER** is applied to establish color uniformity.

**A DEEP PENETRATING STAIN** is then applied to reveal the hidden beauty of the natural grain.

**ALL STAINED SURFACES** are then hand-rubbed and wiped if excess stain, and then slowly air-dried.

**A WOOD SEALER** is then applied, penetrating all exposed wood surfaces for uniform protection.

**ALL SURFACE** are then hand-sanded, providing a smooth, consistent surface.

**A GLAZE** is applied by hand (if applicable).

**A COLOR CONSISTENCY EXAMINATION** is performed with additional touch-up if needed.

**A FINAL PROTECTIVE TOP COAT** is applied, maximizing resistance to scuffing, moisture, fading and most household chemicals.

**END PANEL: 1/2"**

Thick plywood matching door color

**SIDE PANEL: 1/2"**

Thick plywood

**GLIDES:**

Full-extension, soft close, undermount drawer glides

**DRAWER BOX:**

1/2" sides; 3/8" bottom  
Thick hard wood

**SHELF: 3/4"**

Adjustable, thick plywood matching door color

**HINGES:**

6-way-adjustable, concealed, with soft close integrated hinge

**DOOR: 3/4"**

Thick hard wood

**BOTTOM BASE:**

Thick plywood

**FACE FRAME:**

3/4"x1-1/2"  
Maple Hard wood

**TOE KICK: 1/2"**

Thick plywood matching door color

- **INTERIORS** - Finish matching the doors
- **SOFT CLOSE SYSTEM** - All cabinets come standard with soft close doors and drawer glides

# MARINO

BEVEL Collection

DIVINE CABINETRY

DESIGN BY DIVINE CABINETRY

CATALOG

2025

**Cabinet:** MARINO  
**Handle:** DVPIN1901 KNOB  
**Faucet:** 88420BN

**ITEM CODE**  
**E9**

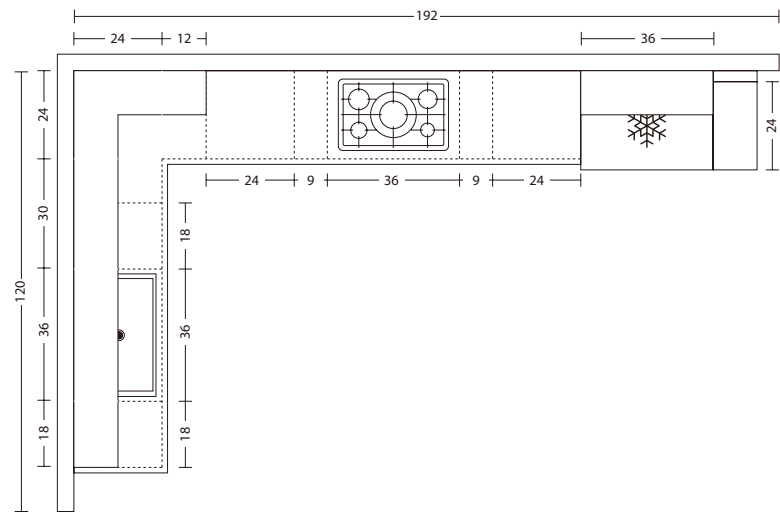
# MARINO

BEVEL Collection

10

Cabinet: MARINO  
Handle: DVPIN1901 KNOB  
Faucet: 88420BN

ITEM CODE  
**E9**



# MARINO

BEVEL Collection

12

These formal navy blue cabinets will instantly brighten up your kitchen and are the perfect backdrop for colorful accessories.

## DESCRIPTION

The BEVEL Blue style is the epitome of sophistication and versatility. The deep, rich shade of blue brings an air of timeless elegance to kitchens and living spaces, offering a modern twist on a classic color. The color choice brings a modern edge to classic designs, creating a space that feels both sophisticated and up-to-date.

## SPECIFICATIONS

- 3/4" Thick Back Panel With Pre-drill Pocket
- 1/2" Thick Premium Grade Plywood Side Panel
- Undermount Full Extension Soft Close Drawer Glides
- 3/4" Thick, 18" Deep Shelf With Metal Shelf Pin
- UV Coated Natural Plywood Interior Bottom
- 1/2" Plywood with Coated Matching Exterior Toe Kick
- 3/4" Dovetail Drawer Box With Insert Stoppers
- 6-Way Adjustable Hinge With Soft Close Feature
- 3/4"x 1-1/2" Hardwood Face Frame

**DIVINE** CABINETRY



2025

DESIGN BY DIVINE CABINETRY

CATALOG

# HUDSON

SHAKER Collection

DIVINE CABINETRY

**Cabinet:** HUDSON  
**Faucet:** 88420 BL  
**Handle:** DV8826  
**Sink:** CUHM 2318S

ITEM CODE  
**S7**

DESIGN BY DIVINE CABINETRY

2025

CATALOG

# HUDSON

## SHAKER Collection

16

Hudson has a painted finish that gives the kitchen a modern industrial look without feeling too dark.

### DESCRIPTION

This door style features transitional styling to complement any kitchen. It is constructed with hard wood stiles and rails with a recessed centre panel for a lifetime of durability and appeal.

### SPECIFICATIONS

- 3/4" Thick hard wood door
- Maple hard wood face frame
- Plywood side panel
- 1/2" Thick plywood matching door color
- Plywood tik tok matching door color
- Plywood bottom base
- Plywood shelved adjustable matching door color
- Full-extension, soft close, undermount drawer glides
- Hard wood drawer box
- 6-way-adjustable, concealed, with soft close integrated hinge

**DIVINE** CABINETRY



2025

DESIGN BY DIVINE CABINETRY

CATALOG

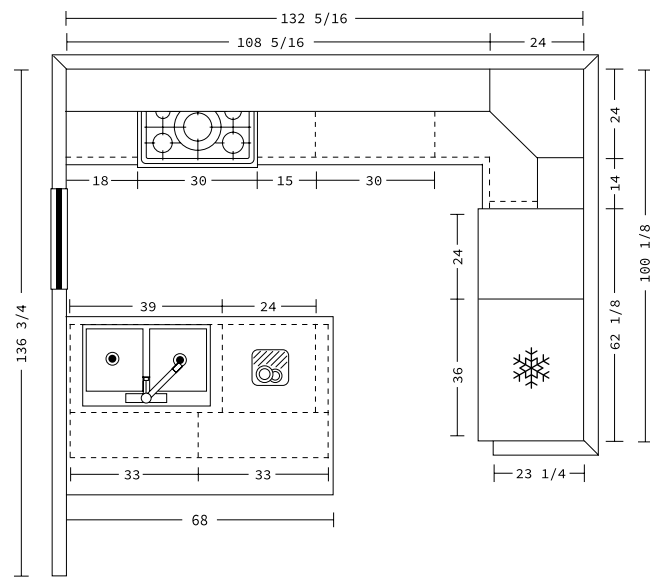
# HUDSON

SHAKER Collection

18

**Cabinet:** HUDSON  
**Faucet:** 88420 BL  
**Handle:** DV8826  
**Sink:** CUHM 2318S

**ITEM CODE**  
**S7**



**DIVINE** CABINETRY



**CATALOG**

# HUDSON

SHAKER Collection

20



**Cabinet:** HUDSON  
**Faucet:** 88420 BL  
**Handle:** DV2798  
**Sink:** CUHM 2318S



HUDSON

SHAKER Collection

2025

DESIGN BY DIVINE CABINETRY

DIVINE CABINETRY

Cabinet: HUDSON  
Faucet: 88402 BN  
Sink: CUHM 3218S

ITEM CODE  
**S7**

CATALOG

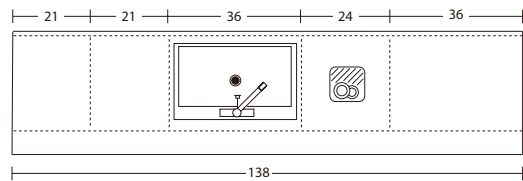
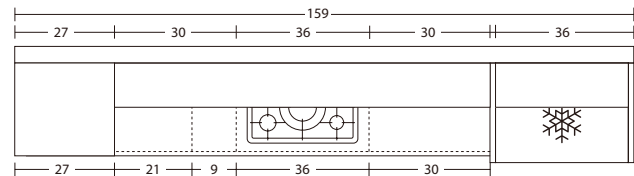
# HUDSON

SHAKER Collection

24

Cabinet: HUDSON  
Faucet: 88402 BN  
Sink: CUHM 3218S

ITEM CODE  
**S7**



# HUDSON + MIDTOWN

SHAKER Collection

26



27



# MIDTOWN

SHAKER Collection



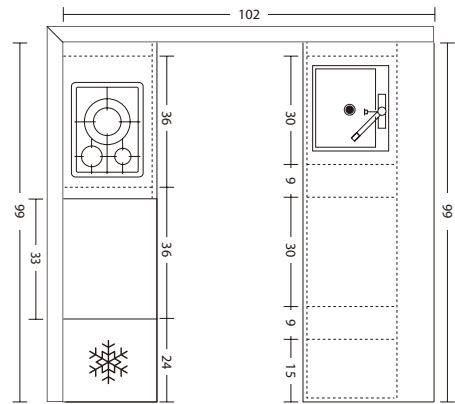
# MIDTOWN

SHAKER Collection

30

Cabinet: MIDTOWN  
Faucet: 88421  
Sink: CUHM 2318S

ITEM CODE  
**S6**



2025

DESIGN BY DIVINE CABINETRY

CATALOG

# MIDTOWN

## SHAKER Collection

32

Create an outstanding white modern kitchen with our off white shaker cabinets.

### DESCRIPTION

This door style features transitional styling to complement any kitchen. It is constructed with hard wood stiles and rails with a recessed centre panel for a lifetime of durability and appeal.

### SPECIFICATIONS

- 3/4" Thick hard wood door
- Maple hard wood face frame
- Plywood side panel
- 1/2" Thick plywood matching door color
- Plywood tik tok matching door color
- Plywood bottom base
- Plywood shelved adjustable matching door color
- Full-extension, soft close, undermount drawer glides
- Hard wood drawer box
- 6-way-adjustable, concealed, with soft close integrated hinge

**DIVINE** CABINETRY



2025

CATALOG

# MIDTOWN

SHAKER Collection



**Cabinet:** MIDTOWN  
**Faucet:** 88503B1 BN  
**Countertop:** CALACATTA

ITEM CODE  
**S6**



# SONOMA

BEVEL Collection

ITEM CODE

## H8

**Cabinet:** SONOMA

**Handle:** DV2798

**Faucet:** 88402 BN

**Sink:** CUHM 2818S

2025

# SONOMA

BEVEL Collection

2025

**Cabinet:** SONOMA  
**Faucet:** 88503B1 BL  
**Handle:** DV8826  
**Sink:** CUHM 2818S

ITEM CODE  
**H 8**

# SONOMA

BEVEL Collection

40

Go for a crisp white transitional look with our Sonoma cabinets. Use this style to add depth and sophistication to your aesthetic.

#### DESCRIPTION

The Sonoma stands out with its delicate rail moldings, distinctive detailing and classic profiling. This detailed style gives your kitchen a touch of traditional splendor with a refreshing twist.

#### SPECIFICATIONS

- 3/4" Thick hard wood door
- Maple hard wood face frame
- Plywood side panel
- 1/2" Thick plywood matching door color
- Plywood tik tok matching door color
- Plywood bottom base
- Plywood shelved adjustable matching door color
- Full-extension,soft close,undermount drawer glides
- Hard wood drawer box
- 6-way-adjustable, concealed, with soft close integrated hinge

**DIVINE** CABINETRY



CATALOG

# SONOMA

BEVEL Collection

42



**Cabinet:** SONOMA  
**Faucet:** 88503B1 BL  
**Handle:** DV8826  
**Sink:** CUHM 2818S



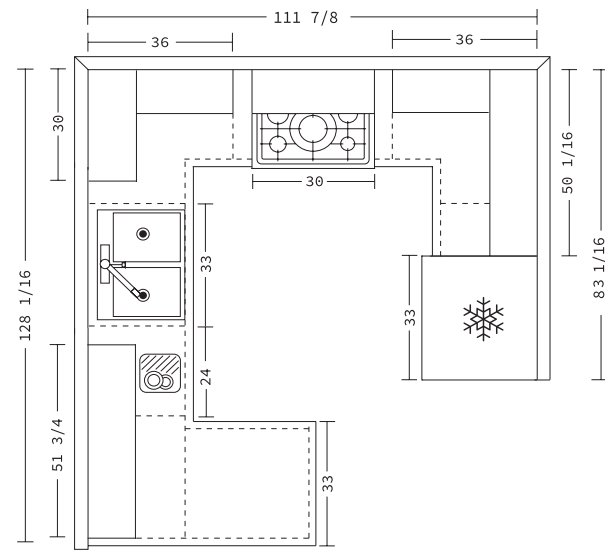
# SONOMA

BEVEL Collection

44

**Cabinet:** SONOMA  
**Faucet:** 88503B1 BL  
**Sink:** CUHM 2818S

ITEM CODE  
**H 8**



**DIVINE** CABINETRY



DESIGN BY **DIVINE** CABINETRY

**CATALOG**

2025

# OXFORD

BEVEL Collection

ITEM CODE  
**H3**

**Cabinet:** OXFORD  
**Faucet:** 88503B1 BL  
**Sink:** CUHM 3018

2025

DESIGN BY **DIVINE** CABINETRY

**DIVINE** CABINETRY

**CATALOG**

# OXFORD

BEVEL Collection

48

The transitional style cabinets will lend a polished look to your home with its simple elegance and contemporary feel.

## DESCRIPTION

With smooth finishes, the Oxford makes quite the impression creating a polished look with a modern flair. The products offer an impressive minimalistic masterpiece with enduring appeal.

## SPECIFICATIONS

- 3/4" Thick hard wood door
- Maple hard wood face frame
- Plywood side panel
- 1/2" Thick plywood matching door color
- Plywood tik tok matching door color
- Plywood bottom base
- Plywood shelved adjustable matching door color
- Full-extension, soft close, undermount drawer glides
- Hard wood drawer box
- 6-way-adjustable, concealed, with soft close integrated hinge

**DIVINE** CABINETRY



2025

DESIGN BY **DIVINE** CABINETRY

CATALOG

# OXFORD

BEVEL Collection

50



ITEM CODE  
**H3**

**Cabinet:** OXFORD  
**Faucet:** 88503B1 BL  
**Sink:** CUHM 3018



2025

DESIGN BY DIVINE CABINETRY

CATALOG

**DOOR**

- Full overlay door with mortise and tenon construction
- Hardwood door frames
- Soft-close mechanism integrated in concealed six-way adjustable hinges

**DRAWER**

- 5-piece recessed panel drawer fronts
- 1/2" hard maple drawer box with dovetail construction
- Full extension concealed drawer runners

**BOX**

- Cam lock construction
- 1/2" select matching door color plywood
- 3/4" adjustable shelves edge-banded matching door color
- Base cabinet has 18" deep shelves
- Wall cabinet has 11" deep shelves

**FINISHING**

- Available Color:  
Light Grey,  
Off White,  
Navy Blue,  
Charcoal
- Matching door color finished interior

**BEVEL SONOMA**

**ITEM CODE H8**

**FINISHING OFF WHITE**



**SHAKER MIDTOWN**

**ITEM CODE S6**

**FINISHING OFF WHITE**



**BEVEL OXFORD**

**ITEM CODE H3**

**FINISHING CHARCOAL**



**SHAKER HUDSON**

**ITEM CODE S7**

**FINISHING LIGHT GREY**



**RAISED UP MARINO**

**ITEM CODE E9**

**FINISHING NAVY BLUE**

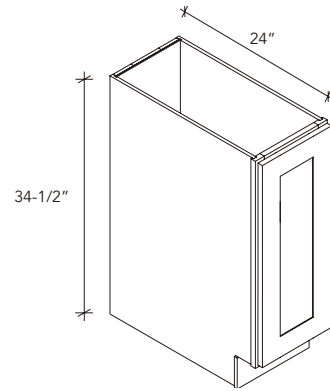


# BASE CABINET

Collection

54

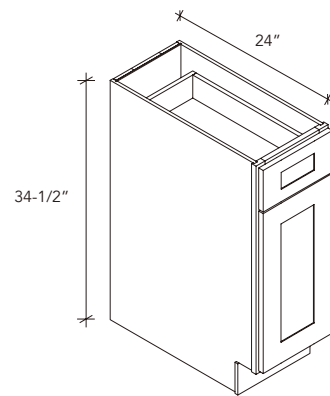
## BASE CABINET



ITEM CODE	DIMENSIONS
B09	9Wx34-1/2Hx24D

- One adjustable shelf

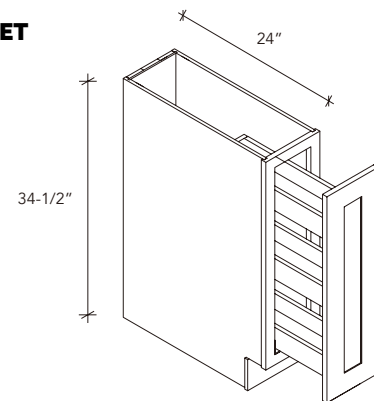
## BASE CABINET WITH ONE DRAWER AND ONE DOOR



ITEM CODE	DIMENSIONS
B12	12Wx34-1/2Hx24D
B15	15Wx34-1/2Hx24D
B18	18Wx34-1/2Hx24D
B21	21Wx34-1/2Hx24D

- One adjustable shelf

## SPICE RACK CABINET

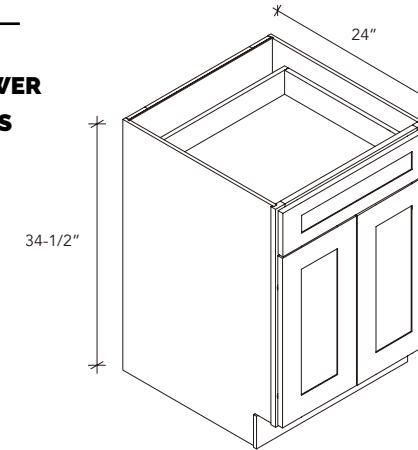


ITEM CODE	DIMENSIONS
SP09	9Wx34-1/2Hx24D
SP12	12Wx34-1/2Hx24D

- Three wooden shelves

55

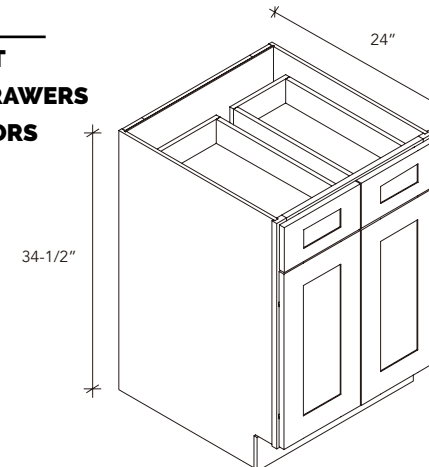
## BASE CABINET WITH ONE DRAWER AND TWO DOORS



ITEM CODE	DIMENSIONS
B24	24Wx34-1/2Hx24D
B27	27Wx34-1/2Hx24D
B30	30Wx34-1/2Hx24D

- One adjustable shelf

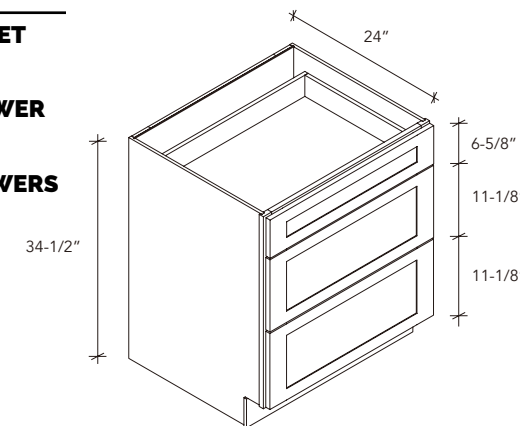
## BASE CABINET WITH TWO DRAWERS AND TWO DOORS



ITEM CODE	DIMENSIONS
B33	33Wx34-1/2Hx24D
B36	36Wx34-1/2Hx24D
B39	39Wx34-1/2Hx24D
B42	42Wx34-1/2Hx24D

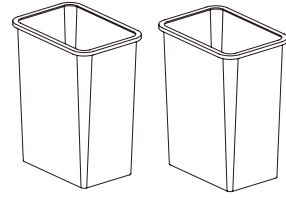
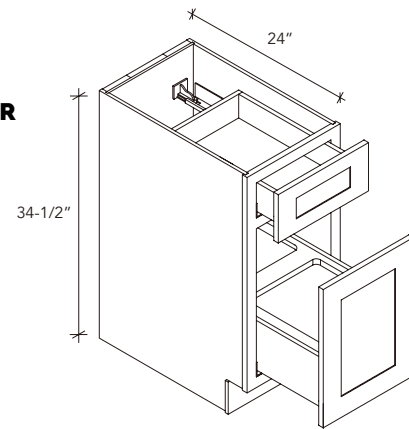
- One adjustable shelf

## BASE CABINET WITH ONE SMALL DRAWER AND TWO LARGE DRAWERS



ITEM CODE	DIMENSIONS
DB12-3	12Wx34-1/2Hx24D
DB15-3	15Wx34-1/2Hx24D
DB18-3	18Wx34-1/2Hx24D
DB21-3	21Wx34-1/2Hx24D
DB24-3	24Wx34-1/2Hx24D
DB30-3	30Wx34-1/2Hx24D
DB36-3	36Wx34-1/2Hx24D

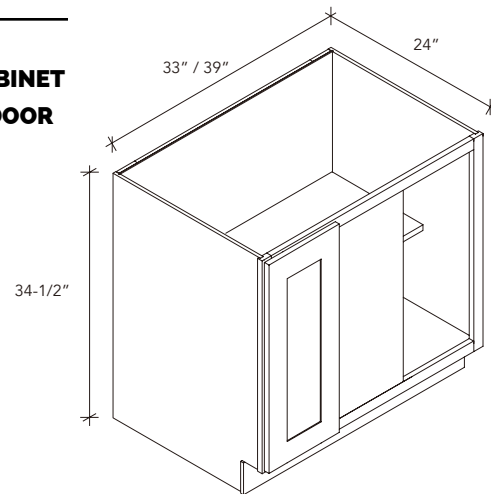
**WASTE BIN  
BASE CABINET  
WITH ONE DOOR  
AND ONE DRAWER**



ITEM CODE	DIMENSIONS
BWBK18-2	18Wx34-1/2Hx24D

- Two plastic waste bins are included

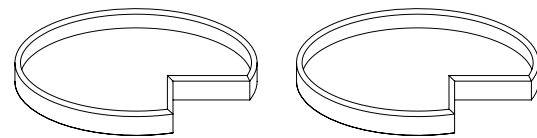
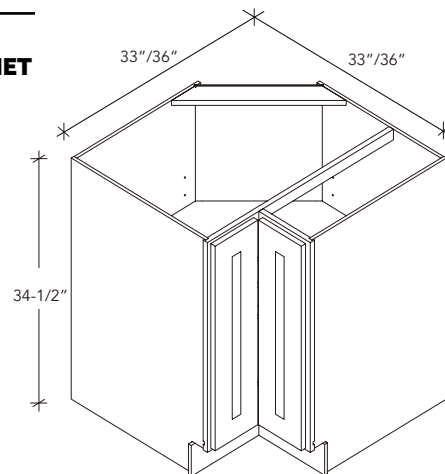
**BASE BLIND  
CORNER CABINET  
WITH ONE DOOR**



ITEM CODE	DIMENSIONS
BBC39	39Wx34-1/2Hx24D
BBC42	42Wx34-1/2Hx24D

- One adjustable shelf  
- \*Min. 3" pull from the wall required

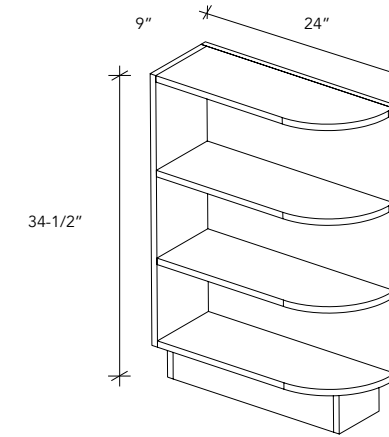
**LAZY SUSAN  
CORNER CABINET**



ITEM CODE	DIMENSIONS
LS3309	33Wx34-1/2Hx24D
LS3612	36Wx34-1/2Hx24D
S-LS33	DIA24
S-LS36	DIA25-1/2

- One Bi-folding door  
- S-LS33/36: Nature wood vanished lazy susan sold separately

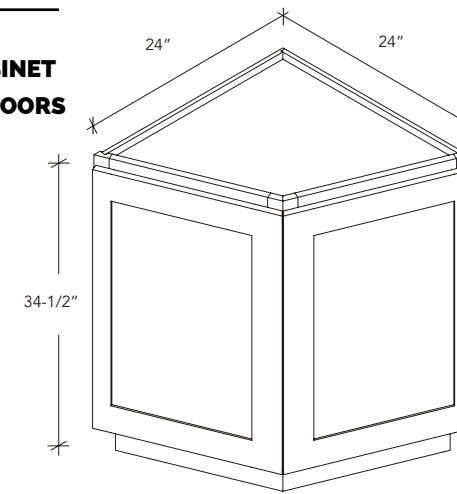
**BASE END SHELF**



ITEM CODE	DIMENSIONS
BES09	9Wx34-1/2Hx24D

- Three fixed shelf  
- Universal design for left and right

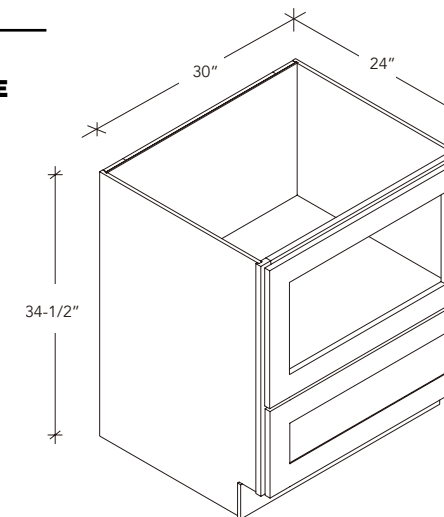
**BASE END  
CORNER CABINET  
WITH TWO DOORS**



ITEM CODE	DIMENSIONS
BEC24	24Wx34-1/2Hx24D

- One adjustable shelf

**MICROWAVE  
DRAWER BASE**

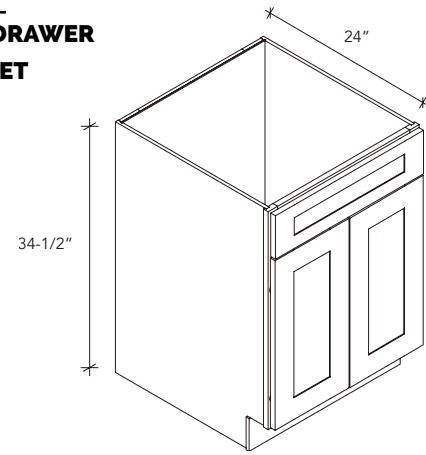


ITEM CODE	DIMENSIONS
BBL27	27Wx34-1/2Hx24D

- Opening dimension: 22Wx13Hx22-1/2D

58

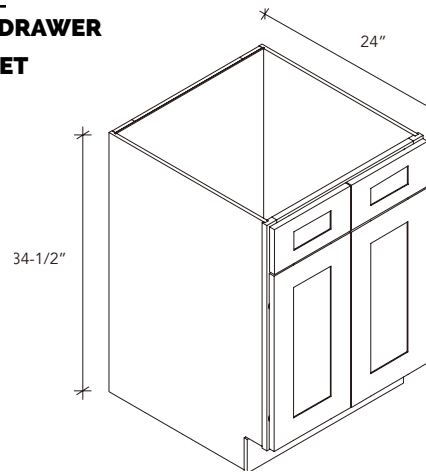
## ONE FIXED FAKE DRAWER SINK BASE CABINET



ITEM CODE	DIMENSIONS
SB24	24Wx34-1/2Hx24D
SB27	27Wx34-1/2Hx24D
SB30	30Wx34-1/2Hx24D

- One fixed fake drawer / tip-out
- Two doors and no shelf

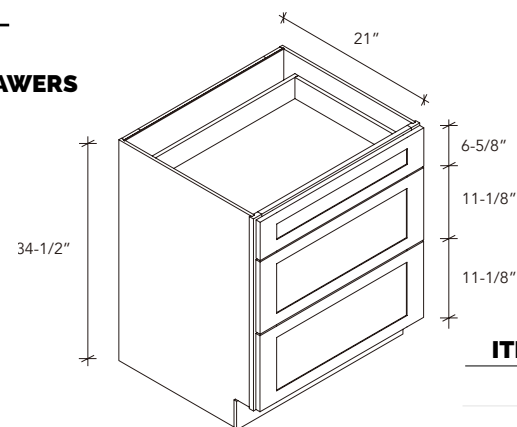
## TWO FIXED FAKE DRAWER SINK BASE CABINET



ITEM CODE	DIMENSIONS
SB33	33Wx34-1/2Hx24D
SB36	36Wx34-1/2Hx24D
SB39	39Wx34-1/2Hx24D
SB42	42Wx34-1/2Hx24D

- Two fixed fake drawers / tip-out
- Two doors and no shelf

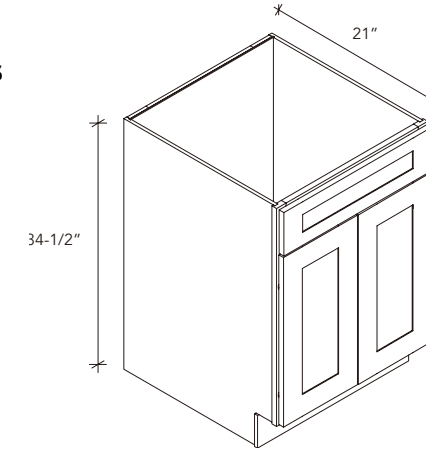
## VANITY CABINET WITH THREE DRAWERS



ITEM CODE	DIMENSIONS
VDB12	12Wx34-1/2Hx21D
VDB15	15Wx34-1/2Hx21D

59

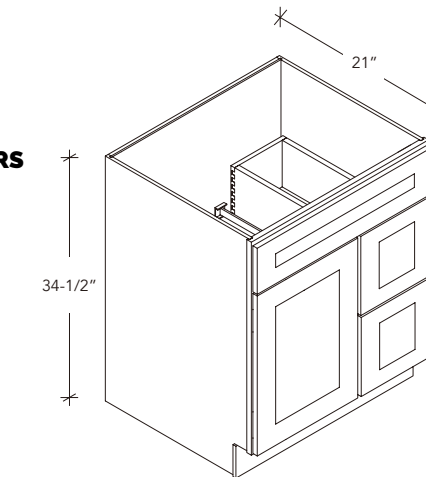
## VANITY CABINET WITH TWO DOORS



ITEM CODE	DIMENSIONS
VSB24	24Wx34-1/2Hx21D
VSB30	30Wx34-1/2Hx21D

- One fixed fake drawer / tip-out
- Tip-out accessory (TOA) not include
- No shelf

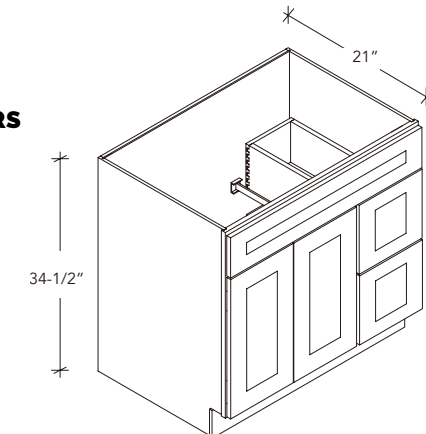
## VANITY CABINET WITH ONE DOOR AND TWO DRAWERS



ITEM CODE	DIMENSIONS
VSD30L	30Wx34-1/2Hx21D
VSD30R	30Wx34-1/2Hx21D

- Door 18"W; Drawers 12"W
- L/R: drawer on the left/right
- No shelf

## VANITY CABINET WITH TWO DOOR AND TWO DRAWERS



ITEM CODE	DIMENSIONS
VSD36L	36Wx34-1/2Hx21D
VSD36R	36Wx34-1/2Hx21D

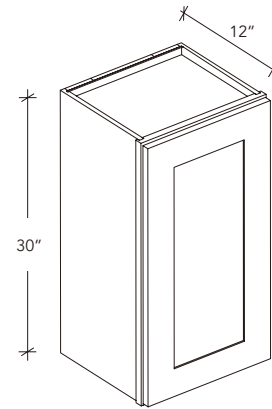
- Door 12"W; Drawers 12"W
- L/R: drawer on the left/right
- No shelf

# WALL CABINET

Collection

60

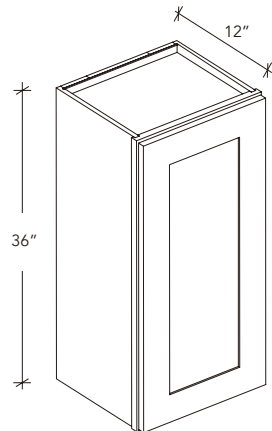
## 30" HIGH WALL CABINET WITH ONE DOOR



ITEM CODE	DIMENSIONS
W0930	9Wx30Hx12D
W1230	12Wx30Hx12D
W1530	15Wx30Hx12D
W1830	18Wx30Hx12D
W2130	21Wx30Hx12D

- Two adjustable shelves

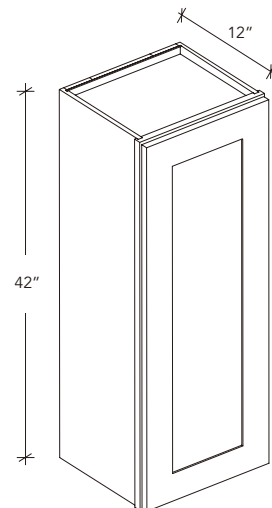
## 36" HIGH WALL CABINET WITH ONE DOOR



ITEM CODE	DIMENSIONS
W0936	9Wx36Hx12D
W1236	12Wx36Hx12D
W1536	15Wx36Hx12D
W1836	18Wx36Hx12D
W2136	21Wx36Hx12D

- Two adjustable shelves

## 42" HIGH WALL CABINET WITH ONE DOOR

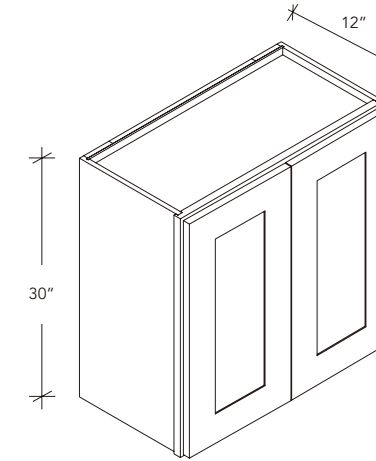


ITEM CODE	DIMENSIONS
W0942	9Wx42Hx12D
W1242	12Wx42Hx12D
W1542	15Wx42Hx12D
W1842	18Wx42Hx12D
W2142	21Wx42Hx12D

- Three adjustable shelves

61

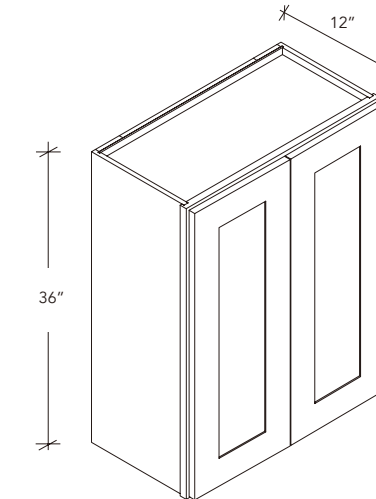
## 30" HIGH WALL CABINET WITH TWO DOORS



ITEM CODE	DIMENSIONS
W2430	24Wx30Hx12D
W2730	27Wx30Hx12D
W3030	30Wx30Hx12D
W3330	33Wx30Hx12D
W3630	36Wx30Hx12D
W3930	39Wx30Hx12D
W4230	42Wx30Hx12D

- Two adjustable shelves

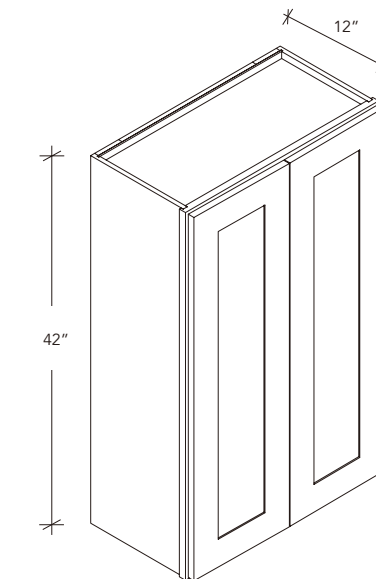
## 36" HIGH WALL CABINET WITH TWO DOORS



ITEM CODE	DIMENSIONS
W2436	24Wx36Hx12D
W2736	27Wx36Hx12D
W3036	30Wx36Hx12D
W3336	33Wx36Hx12D
W3636	36Wx36Hx12D
W3936	39Wx36Hx12D
W4236	42Wx36Hx12D

- Two adjustable shelves

## 42" HIGH WALL CABINET WITH TWO DOORS



ITEM CODE	DIMENSIONS
W2442	24Wx42Hx12D
W2742	27Wx42Hx12D
W3042	30Wx42Hx12D
W3342	33Wx42Hx12D
W3642	36Wx42Hx12D
W3942	39Wx42Hx12D
W4242	42Wx42Hx12D

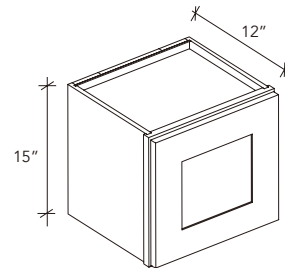
- Three adjustable shelves

# WALL CABINET

Collection

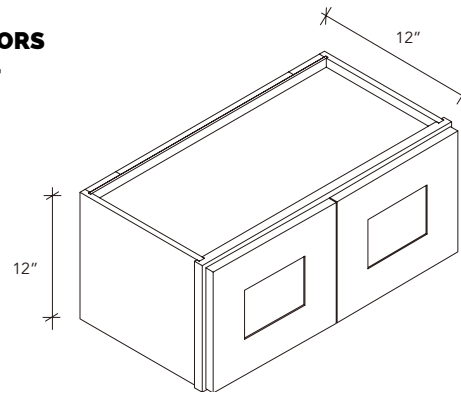
62

**12" HIGH  
WALL CABINET  
WITH ONE DOOR  
AND NO SHELF**



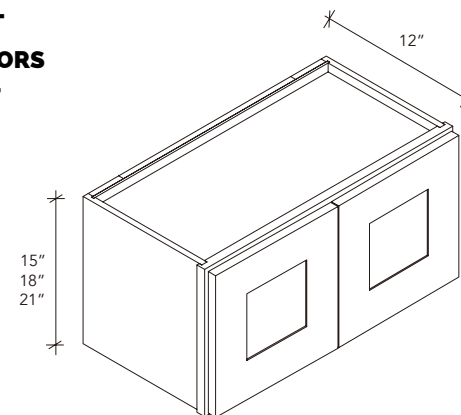
ITEM CODE	DIMENSIONS
W1212	12Wx12Hx12D
W1512	15Wx12Hx12D
W1812	18Wx12Hx12D
W2112	21Wx12Hx12D

**12" HIGH  
WALL CABINET  
WITH TWO DOORS  
AND NO SHELF**



ITEM CODE	DIMENSIONS
W2412	24Wx12Hx12D
W2712	27Wx12Hx12D
W3012	30Wx12Hx12D
W3612	36Wx12Hx12D

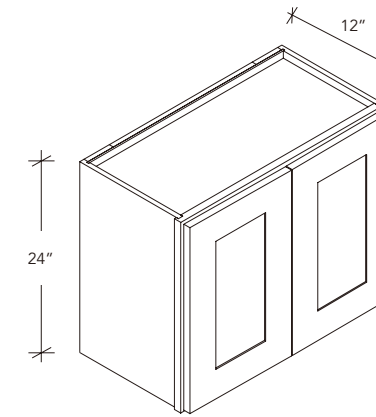
**15"/18"/21" HIGH  
WALL CABINET  
WITH TWO DOORS  
AND NO SHELF**



ITEM CODE	DIMENSIONS
W3015	30Wx15Hx12D
W3315	33Wx15Hx12D
W3615	36Wx15Hx12D
W3018	30Wx18Hx12D
W3618	36Wx18Hx12D
W3021	30Wx21Hx12D
W3321	33Wx21Hx12D

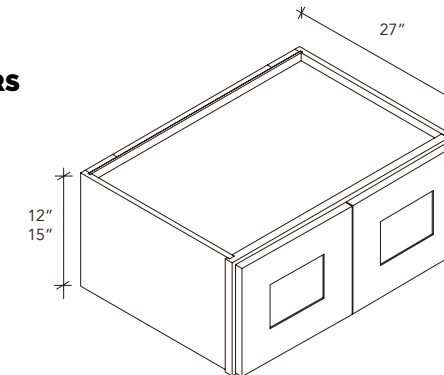
63

**24" HIGH  
WALL CABINET  
WITH TWO DOORS**



ITEM CODE	DIMENSIONS
W3024	30Wx24Hx12D
W3624	36Wx24Hx12D

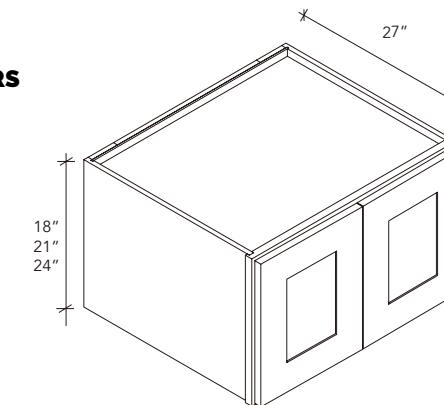
**12"/15" HIGH  
REFRIGERATOR  
WALL CABINET  
WITH TWO DOORS  
AND NO SHELF**



ITEM CODE	DIMENSIONS
W331227	33Wx12Hx27D
W361227	36Wx12Hx27D
W361527	36Wx15Hx27D
W331827	33Wx18Hx27D
W361827	36Wx18Hx27D
W362127	36Wx21Hx27D

- Depth 27"

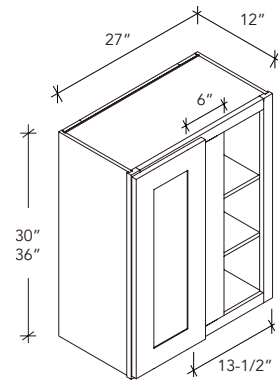
**18"/21"/24" HIGH  
REFRIGERATOR  
WALL CABINET  
WITH TWO DOORS  
AND ONE SHELF**



ITEM CODE	DIMENSIONS
W332427	33Wx24Hx27D
W362427	36Wx24Hx27D

- One adjustable shelf  
- Depth 27"

**30"/36" HIGH  
WALL BLIND  
CORNER CABINET  
WITH ONE DOOR**



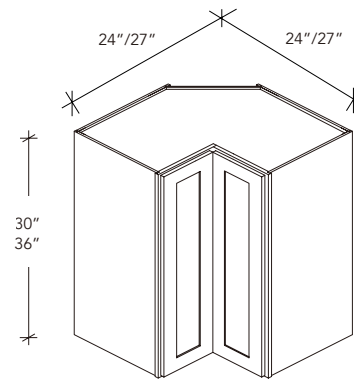
**ITEM CODE      DIMENSIONS**

WBC2730      27Wx30Hx12D

WBC2736      27Wx36Hx12D

- Two adjustable shelves
- Adjustable door left or right
- \*Min 1 1/2"-3" pull from the wall required

**30"/36" HIGH  
TOP LAZY SUSAN**



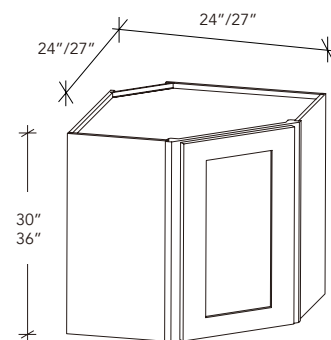
**ITEM CODE      DIMENSIONS**

SCW243024      24Wx30Hx24D

SCW243624      24Wx36Hx24D

- One bi-folding door
- Two adjustable shelves

**30"/36" HIGH  
WALL DIAGONAL  
CORNER CABINET  
WITH ONE DOOR**



**ITEM CODE      DIMENSIONS**

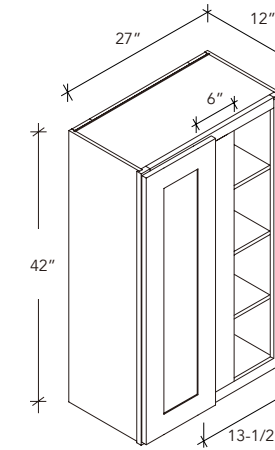
WDC2430      24Wx30Hx12D

WDC2436      24Wx36Hx12D

WDC273615      27Wx36Hx15D

- Two adjustable shelves

**42" HIGH  
WALL BLIND  
CORNER CABINET  
WITH ONE DOOR**

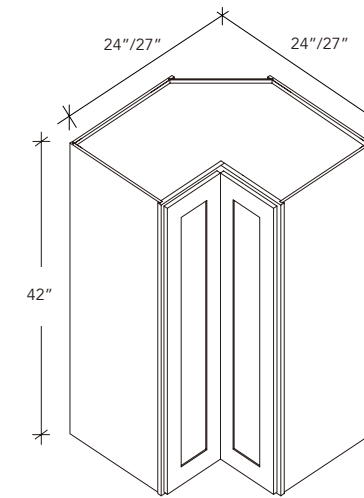


**ITEM CODE      DIMENSIONS**

WBC2742      27Wx42Hx12D

- Three adjustable shelves
- Adjustable door left or right
- \*Min 1 1/2"-3" pull from the wall required

**42" HIGH  
TOP LAZY SUSAN**

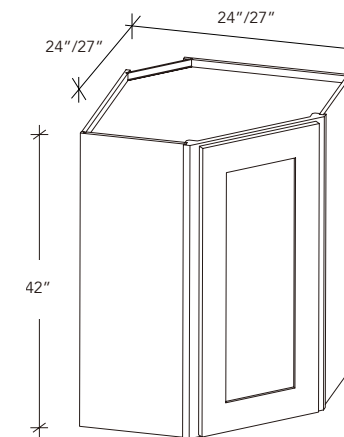


**ITEM CODE      DIMENSIONS**

SCW244224      24Wx42Hx24D

- One bi-folding door
- Three adjustable shelves

**42" HIGH  
WALL DIAGONAL  
CORNER CABINET  
WITH ONE DOOR**



**ITEM CODE      DIMENSIONS**

WDC2442      24Wx42Hx12D

WDC274215      27Wx42Hx15D

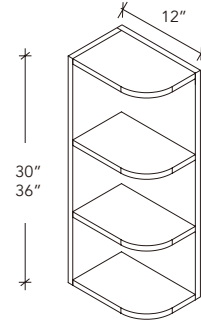
- Three adjustable shelves

# WALL CABINET

Collection

66

## 30"/36" HIGH WALL END SHELF



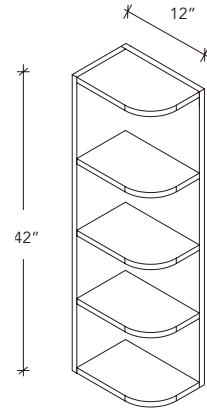
ITEM CODE	DIMENSIONS
-----------	------------

WES0930	9Wx30Hx12D
---------	------------

WES0936	9Wx36Hx12D
---------	------------

- Two adjustable shelves
- Two fixed shelves

## 42" HIGH WALL END SHELF



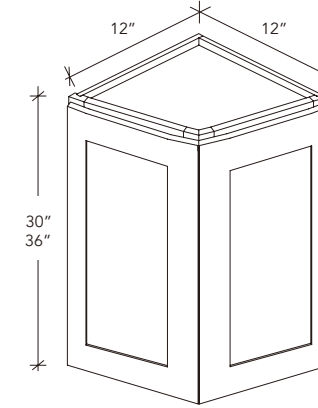
ITEM CODE	DIMENSIONS
-----------	------------

WES0942	9Wx42Hx12D
---------	------------

- Three fixed shelves

67

## 30"/36" HIGH WALL END CORNER CABINET WITH TWO DOOR



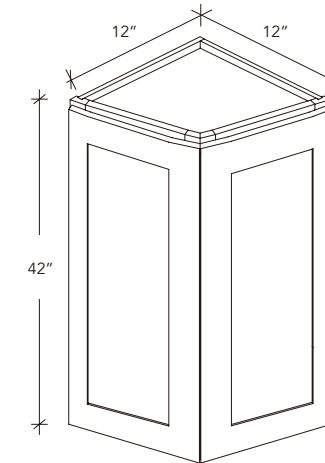
ITEM CODE	DIMENSIONS
-----------	------------

WEC1230	12Wx30Hx12D
---------	-------------

WEC1236	12Wx36Hx12D
---------	-------------

- Two adjustable shelves

## 42" HIGH WALL END CORNER CABINET WITH TWO DOOR



ITEM CODE	DIMENSIONS
-----------	------------

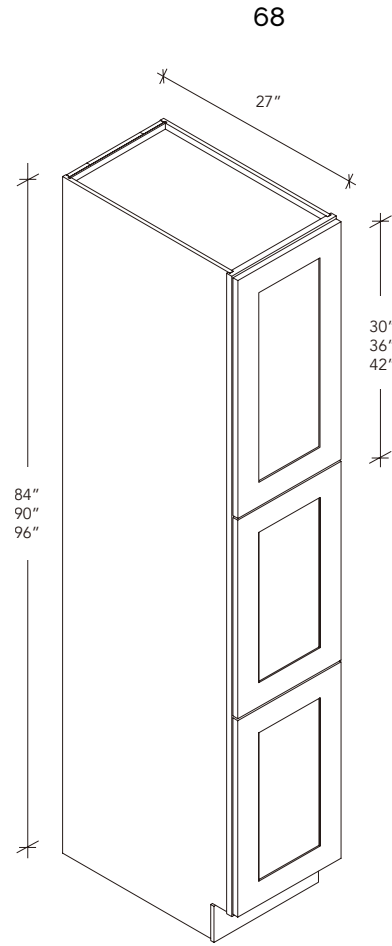
WEC1242	12Wx42Hx12D
---------	-------------

- Three adjustable shelves

# PANTRY

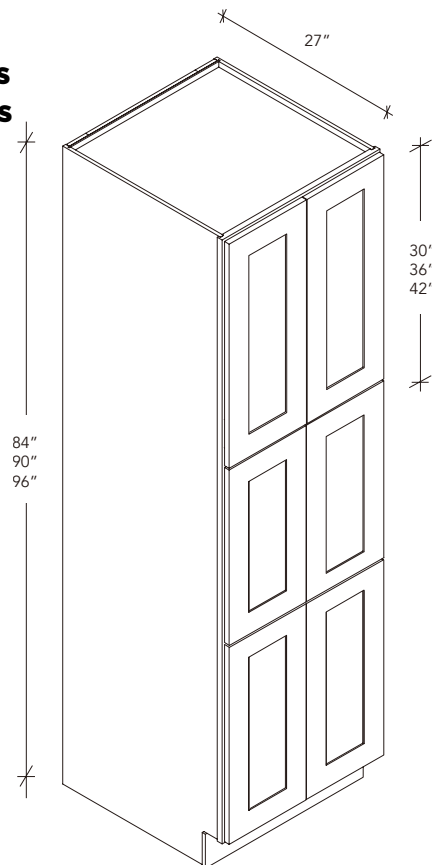
Collection

## PANTRY WITH TWO DOORS AND FIVE SHELVES



ITEM CODE	DIMENSIONS
WP188427	18Wx84Hx27D
WP189027	18Wx90Hx27D
WP189627	18Wx96Hx27D

## PANTRY WITH FOUR DOORS AND FIVE SHELVES

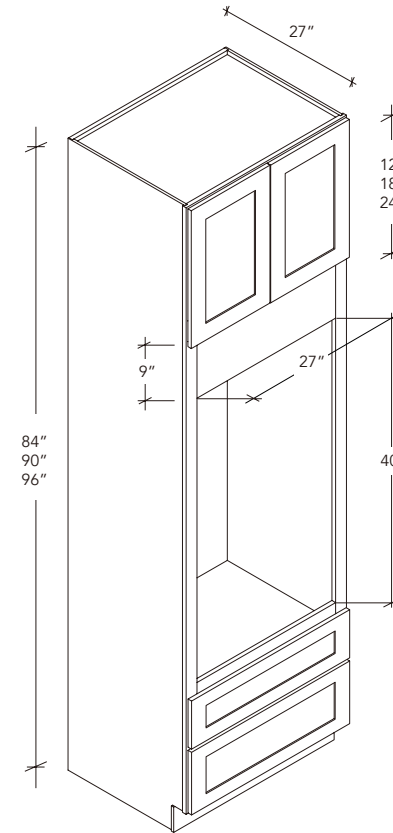


ITEM CODE	DIMENSIONS
WP248427	24Wx84Hx27D
WP249027	24Wx90Hx27D
WP249627	24Wx96Hx27D
WP308427	30Wx84Hx27D
WP309027	30Wx90Hx27D
WP309627	30Wx96Hx27D

DIVINE CABINETRY

69

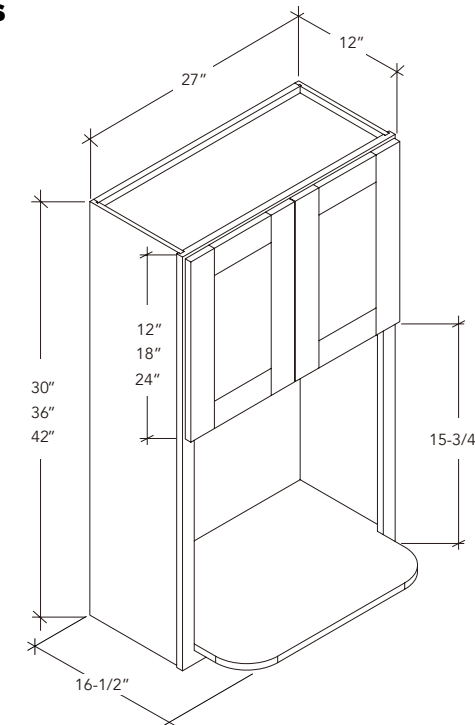
## SINGLE OVEN PANTRY WITH TWO DOORS



ITEM CODE	DIMENSIONS
OC308427	30Wx84Hx27D
OC309027	30Wx90Hx27D
OC309627	30Wx96Hx27D

- Two drawers
- Opening 40"x27", can be altered for double oven
- Cut out width max 28.5"
- OC309627 with one shelf

## MICROWAVE CABINET WITH TWO DOORS

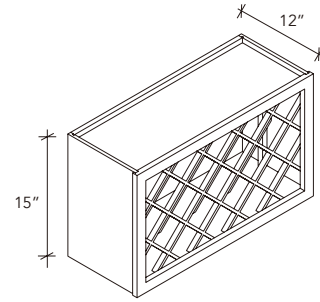


ITEM CODE	DIMENSIONS
WBL2730	27Wx30Hx12D
WBL2736	27Wx36Hx12D
WBL2742	27Wx42Hx12D

- No shelf in WBL2730 & WBL2736
- One shelf in WBL2742
- Bottom shelf depth: 16 1/2"

70

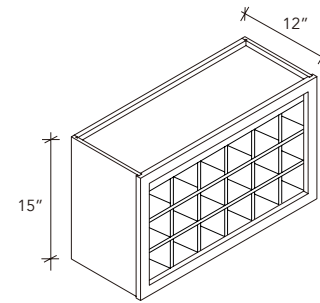
## WINE RACK



ITEM CODE	DIMENSIONS
30WR	30Wx15Hx12D

- Available finishing: H3, H8, S6, S7, E9

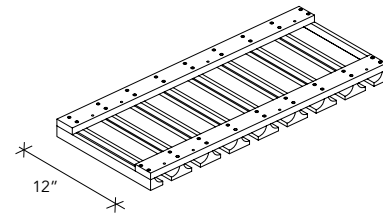
## WINE RACK



ITEM CODE	DIMENSIONS
30WRS	30Wx15Hx12D

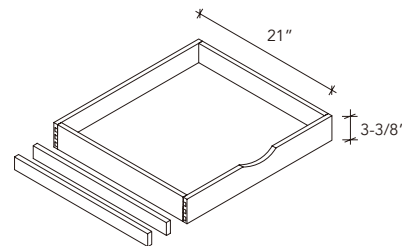
- Available finishing: H3, H8, S6, S7, E9

## GLASS RACK



ITEM CODE	DIMENSIONS
30GR	30Wx1-1/2Hx12D

## ROLL-OUT DRAWER (COMMON PRODUCT)

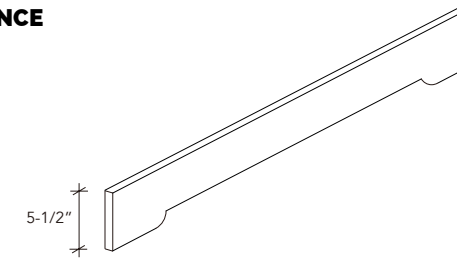


ITEM CODE	DIMENSIONS
RD15	15Wx3-3/8Hx21D
RD18	18Wx3-3/8Hx21D
RD24	24Wx3-3/8Hx21D
RD30	30Wx3-3/8Hx21D
RD36	36Wx3-3/8Hx21D

- For cabinet depth min 24"  
- Capable for pantry cabinets

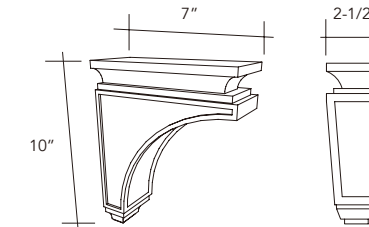
71

## ARCHED VALANCE



ITEM CODE	DIMENSIONS
V36B	36Wx5-1/2Hx3/4D
V42B	42Wx5-1/2Hx3/4D
V48B	48Wx5-1/2Hx3/4D
V60B	60Wx5-1/2Hx3/4D

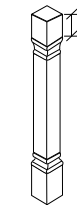
## CORBEL



ITEM CODE	DIMENSIONS
SC3107	2-1/2Wx10Hx7D

- Available finishing: H3, H8, S6, S7, E9

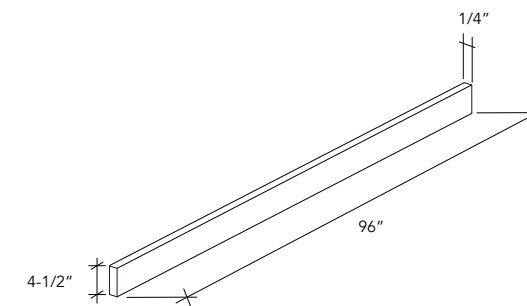
## TURN POST



ITEM CODE	DIMENSIONS
TP3S	3Wx36Hx3D

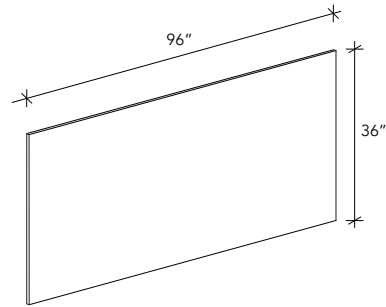
- TP3S available finishing: H3, H8, S6, S7, E9

## TOE KICK



ITEM CODE	DIMENSIONS
TK8	4-1/2Wx96Hx1/8D

## BACK PANEL



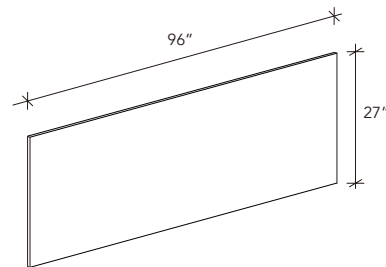
ITEM CODE	DIMENSIONS
BP9636	96Hx36D

- Panel thickness 1/8"
- Edge not finished

ITEM CODE	DIMENSIONS
BP9636-1/2	96Hx36D

- Panel thickness 1/2"
- Edge not finished

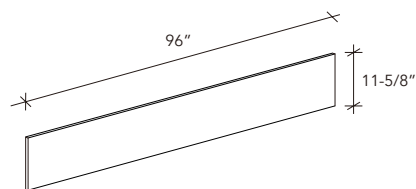
## FRIDGE PANEL



ITEM CODE	DIMENSIONS
REP9627	96Hx27D

- Panel thickness 3/4"
- Edge finished

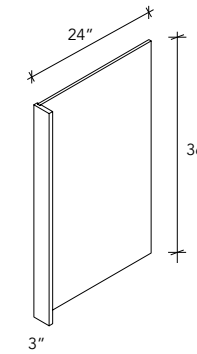
## CROWN MOLDING PACK PANEL



ITEM CODE	DIMENSIONS
CMP8	11-5/8Wx96Hx1/2D

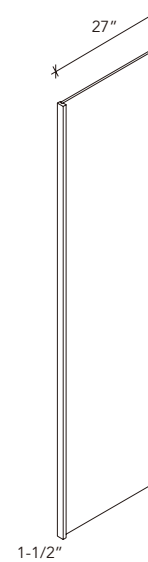
- Use for under wall cabinets or back panel to install molding upto ceiling
- Edge not finished

## DISHWASHER RETURN PANEL



ITEM CODE	DIMENSIONS
DWR	3Wx36Hx24D

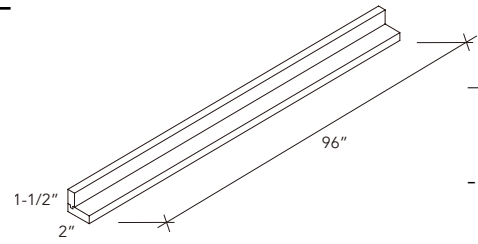
## FRIDGE RETURN PANEL



ITEM CODE	DIMENSIONS
RRP8427	84Hx27D
RRP9027	90Hx27D
RRP9627	96Hx27D

- Filler width 1 1/2"
- Panel thickness 1/2"

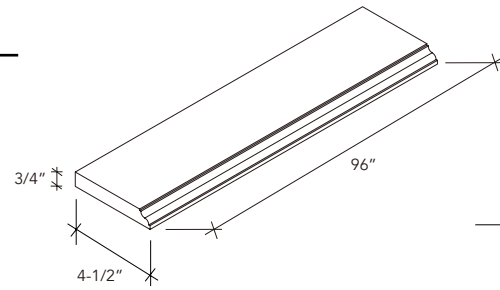
**MODERN LIGHT MOLDING**



ITEM CODE	DIMENSIONS
TLR8S	1-1/8Wx96Hx2D

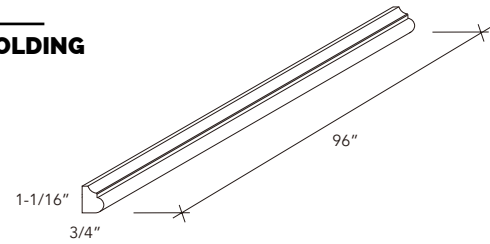
- Available finishing: H3, H8, S6, S7, E9

**BASE MOLDING**



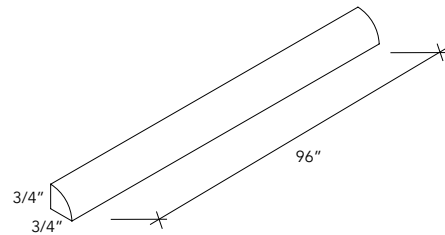
ITEM CODE	DIMENSIONS
BM8	4-1/2Wx96Hx3/4D

**CHAIR RAIL MOLDING**



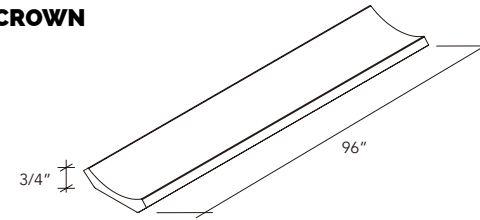
ITEM CODE	DIMENSIONS
CR8	1Wx96Hx3/4D

**QUARTER ROUND**



ITEM CODE	DIMENSIONS
QR8	3/4Wx96Hx3/4D

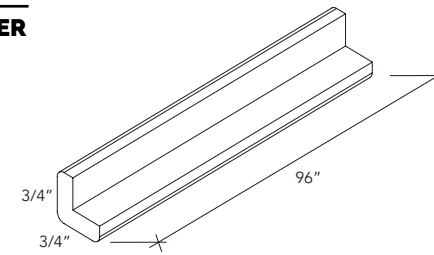
**MODERN CROWN MOLDING**



ITEM CODE	DIMENSIONS
CM2-1/2S	2-1/2Wx96Hx3/4D
CM4-1/2S	4-1/2Wx96Hx3/4D

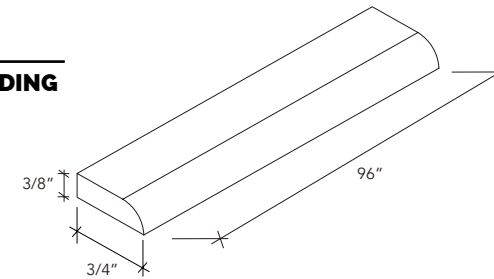
- Available finishing: H3, H8, S6, S7, E9

**OUTSIDE CORNER MOLDING**



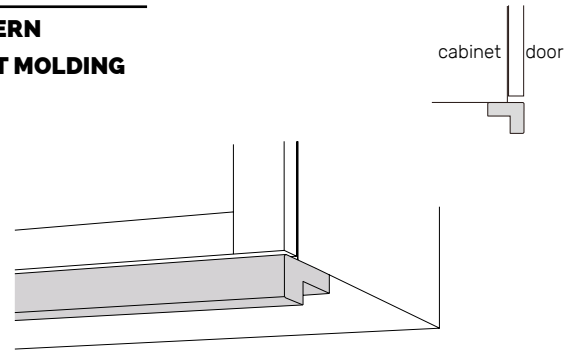
ITEM CODE	DIMENSIONS
OCM8	3/4Wx96Hx3/4D

**SCRIBE MOLDING**



ITEM CODE	DIMENSIONS
SM8	3/4Wx96Hx1/4D

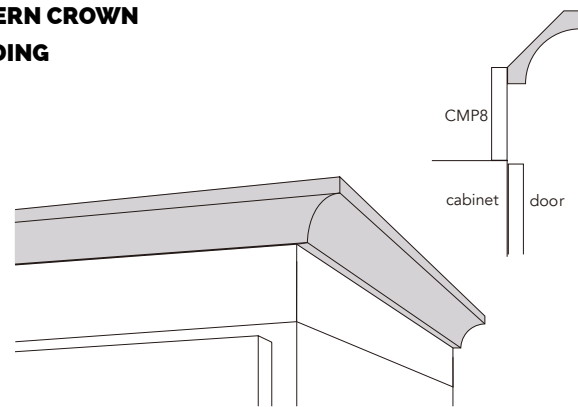
## MODERN LIGHT MOLDING



ITEM CODE	DIMENSIONS
TLR8S	1-1/8Wx96Hx2D

- Available finishing: H3, H8, S6, S7, E9

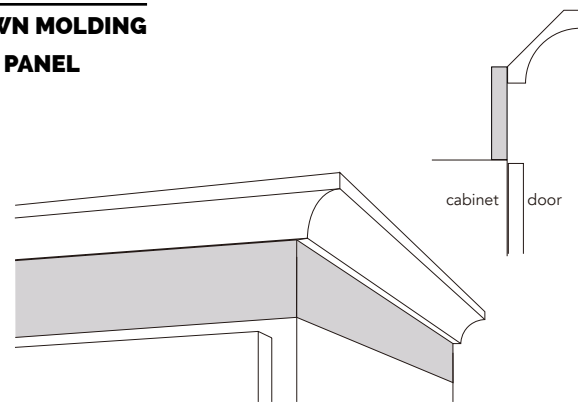
## MODERN CROWN MOLDING



ITEM CODE	DIMENSIONS
CM2-1/2S	2-1/2Wx96Hx3/4D
CM4-1/2S	4-1/2Wx96Hx3/4D

- Available finishing: H3, H8, S6, S7, E9

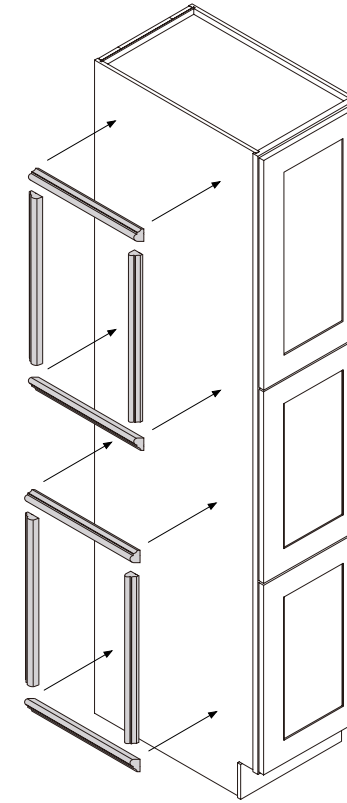
## CROWN MOLDING PACK PANEL



ITEM CODE	DIMENSIONS
CMP8	11-5/8Wx96Hx1/2D

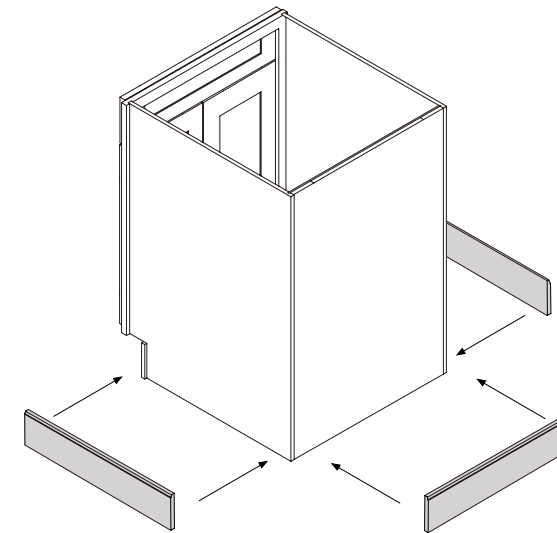
- Use for under wall cabinets or back panel to install molding upto ceiling

## CHAIR RAIL MOLDING



ITEM CODE	DIMENSIONS
CR8	1Wx96Hx3/4D

## BASE MOLDING



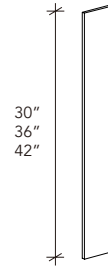
ITEM CODE	DIMENSIONS
BM8	4-1/2Wx96Hx3/4D

# FILLER

Collection

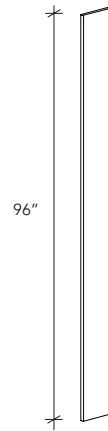
78

## WALL FILLER



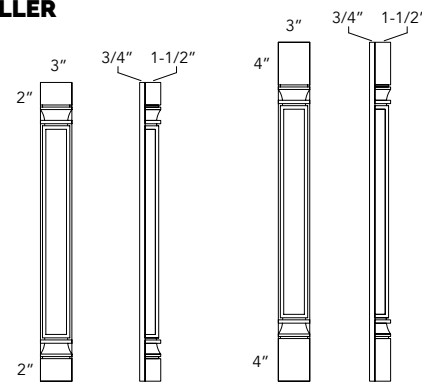
ITEM CODE	DIMENSIONS
WF330	3Wx30Hx3/4D
WF336	3Wx36Hx3/4D
WF342	3Wx42Hx3/4D
WF630	6Wx30Hx3/4D
WF636	6Wx36Hx3/4D
WF642	6Wx42Hx3/4D

## TALL FILLER



ITEM CODE	DIMENSIONS
TF1-1/2X96	1-1/2Wx96Hx3/4D
TF3X96	3Wx96Hx3/4D
TF6X96	6Wx96Hx3/4D

## FLUTED WALL FILLER

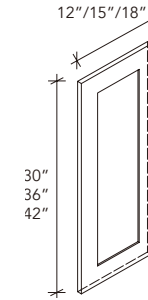


ITEM CODE	DIMENSIONS
W330FS	3Wx30Hx2-1/4D
W336FS	3Wx36Hx2-1/4D
W342FS	3Wx42Hx2-1/4D

- Available finishing: H3, H8, S6, S7, E9

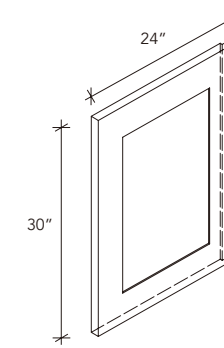
79

## WALL DUMMY DOOR



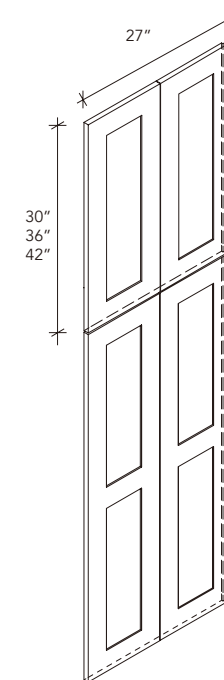
ITEM CODE	DIMENSIONS
W1230F	12Wx30Hx3/4D
W1236F	12Wx36Hx3/4D
W1242F	12Wx42Hx3/4D
W1530F	15Wx30Hx3/4D
W1830F	18Wx30Hx3/4D

## BASE DUMMY DOOR



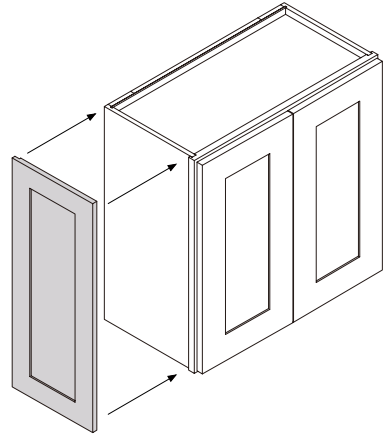
ITEM CODE	DIMENSIONS
BDD24	24Wx30Hx3/4D

## PANTRY DUMMY DOOR WITH FOUR DOORS



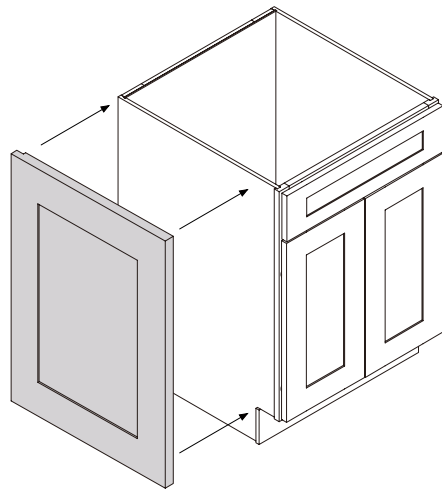
ITEM CODE	DIMENSIONS
BDD8427	84Hx27Dx3/4D
BDD9027	90Hx27Dx3/4D
BDD9627	96Hx27Dx3/4D

**WALL DUMMY DOOR**



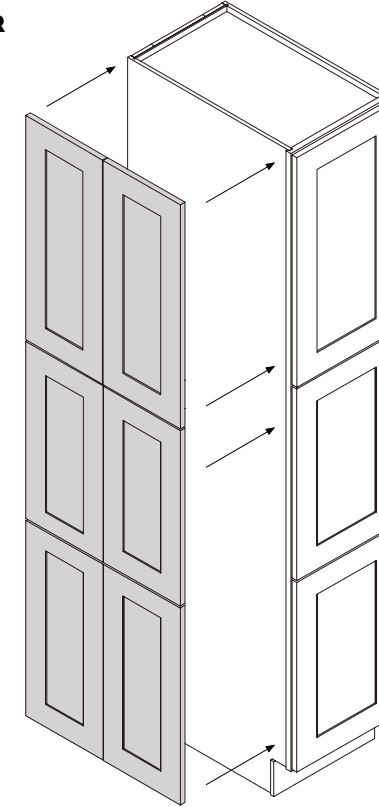
ITEM CODE	DIMENSIONS
W1230F	12Wx30Hx3/4D
W1236F	12Wx36Hx3/4D
W1242F	12Wx42Hx3/4D

**BASE DUMMY DOOR**



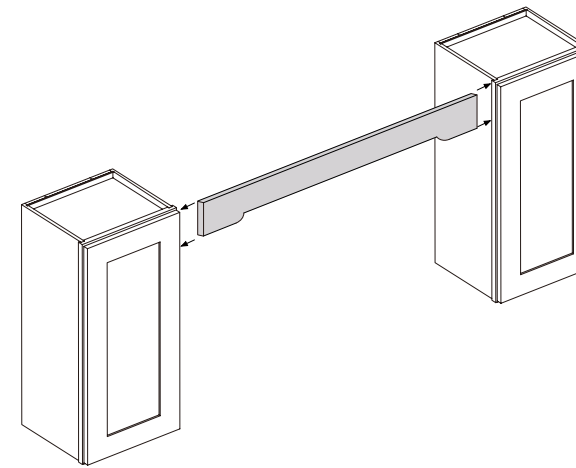
ITEM CODE	DIMENSIONS
BDD24	24Wx30Hx3/4D

**PANTRY DUMMY DOOR WITH FOUR DOORS**



ITEM CODE	DIMENSIONS
BDD8427	84Hx27Dx3/4D
BDD9027	90Hx27Dx3/4D
BDD9627	96Hx27Dx3/4D

**ARCHED VALANCE**



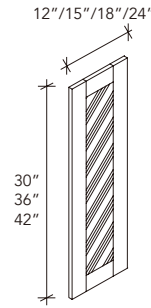
ITEM CODE	DIMENSIONS
V36B	36Wx5-1/2Hx3/4D
V42B	42Wx5-1/2Hx3/4D
V48B	48Wx5-1/2Hx3/4D
V60B	60Wx5-1/2Hx3/4D

# GLASS DOOR

Collection

82

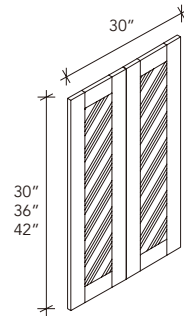
## GLASS DOOR



ITEM CODE	DIMENSIONS
W1230GD	12Wx30Hx3/4D
W1530GD	15Wx30Hx3/4D
W1830GD	18Wx30Hx3/4D
W1236GD	12Wx36Hx3/4D
W1536GD	15Wx36Hx3/4D
W1836GD	18Wx36Hx3/4D
W1242GD	12Wx42Hx3/4D
W1542GD	15Wx42Hx3/4D
W1842GD	18Wx42Hx3/4D
WDC2430GD	24Wx30Hx3/4D
WDC2436GD	24Wx36Hx3/4D
WDC2442GD	24Wx42Hx3/4D

- Only available finishing: H3, H8, S6, S7, E9

## DOUBLE GLASS DOOR



ITEM CODE	DIMENSIONS
W3030BGD	30Wx30Hx3/4D
W3036BGD	30Wx36Hx3/4D
W3042BGD	30Wx42Hx3/4D

- Only available finishing: H3, H8, S6, S7, E9

83

## TOUCH-UP KIT



### ITEM CODE

TUK

- Water and wax stick

## SINK BASE TIP-OUT ACCESSORIES (COMMON PRODUCT)



### ITEM CODE

TOA

**SAMPLE DOOR**



ITEM CODE	DIMENSIONS
SD	12Wx15H

**BIG SAMPLE DOOR**



ITEM CODE	DIMENSIONS
BSD	13-1/4Wx24-3/4H
BSD	13-1/4Wx29-1/2H

**DRAWER  
BIG SAMPLE DOOR**



ITEM CODE	DIMENSIONS
BSDS	15Wx24H

**SAMPLE DOOR RACK**



ITEM CODE	DIMENSIONS
DPSR	14-1/2Wx72-1/2Hx16D

**SAMPLE MOLDING**



ITEM CODE
MSK

**SAMPLE HANDLE**



ITEM CODE
HSK

**LIMITED 5-YEAR WARRANTY**

Divine Cabinetry warrants its Designer Series products to be free from defects in material or workmanship for a period of five years. Divine Cabinetry at their choice, may elect to repair or replace any Divine Cabinetry product covered by this warranty.

This warranty does not apply where items have been improperly stored or improperly installed. This warranty does not cover the following: costs of removing warranted material or the installation of replacement material, natural variations and aging inherent in wood, normal wear and tear or damage/defects caused by misuse, abuse, negligence or modification in any way. This warranty does not apply to products purchased without finish.

Divine Cabinetry reserves the right to inspect claimed defective products. No returns, replacements or repairs may be made without prior written consent. Some replacement parts may vary from those originally supplied and are subject to availability.

This warranty is the sole warranty of Divine Cabinetry and in lieu of all other warranties, express implied, including any implied warranty of merchantability and fitness for a particular use. Labor charges for removal of or installation of warranted material as well as incidental or consequential damages are excluded. We do not assume for us any other liability in connection with the sale of your product.

**What is not covered by this warranty?**

- The natural aging or darkening of wood color, the wood knots, the inherent growth characteristics or variation in wood. We believe this is beauty of nature and not a defect. Absolutely NO RETURN / EXCHANGE for this kind of cabinets or accessories;
- Wear and tear, damage or defects cause by misuse, abuse, negligence, alteration, nonresidential use, storage, or use in non-controlled environment (Recommended 35%-55% humidity, temperature range 17-24°)
- Having a heating vent under or in front of cabinets
- Any product used or installed in connection with our products
- This warrants in not qualify for the final sales, clearance sales

**Special Door Considerations:**

The purchaser agrees to let doors that we warped or have panel shrinkage a 4/1" or less to hang for one season (spring) before replacement is requested. Typically a door will return to its normal position once it is acclimated to temperature and humidity conditions. Prior to requesting a replacement for a door, please be sure the door has been installed properly.

To file a claim on this warranty contact your local authorized Divine Cabinetry dealer.

# FAUCET

Collection

86



# FAUCET

Collection

88

89



**ITEM CODE** SDP1 CH  
**FINISH** CHROME

**ITEM CODE** SDP1 BN  
**FINISH** BRUSHED NICKEL

**ITEM CODE** SDP1 BL  
**FINISH** MATT BLACK



**ITEM CODE** 88501B5 BL  
**FINISH** MATT BLACK



**ITEM CODE** 88503B1 BL  
**FINISH** MATT BLACK



**ITEM CODE** 88421 BL  
**FINISH** MATT BLACK



**ITEM CODE** 88420 BL  
**FINISH** MATT BLACK



**ITEM CODE** 88402 BL  
**FINISH** MATT BLACK



**ITEM CODE** 12119B3 CH  
**FINISH** CHROME

**ITEM CODE** 12119B3 BN  
**FINISH** BRUSHED NICKEL

**ITEM CODE** 12119B3 BL  
**FINISH** MATT BLACK



**ITEM CODE** 88501B5 BN  
**FINISH** BRUSHED NICKEL

**ITEM CODE** 88501B5 CH  
**FINISH** CHROME



**ITEM CODE** 88503B1 BN  
**FINISH** BRUSHED NICKEL

**ITEM CODE** 88503B1 CH  
**FINISH** CHROME



**ITEM CODE** 88421 BN  
**FINISH** BRUSHED NICKEL

**ITEM CODE** 88421 CH  
**FINISH** CHROME



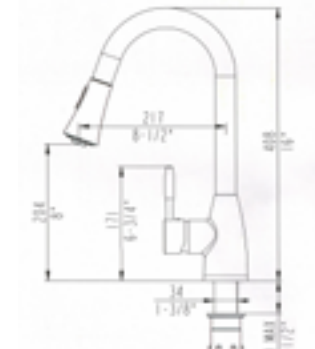
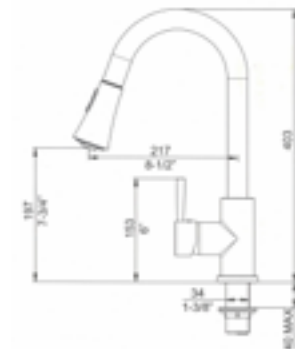
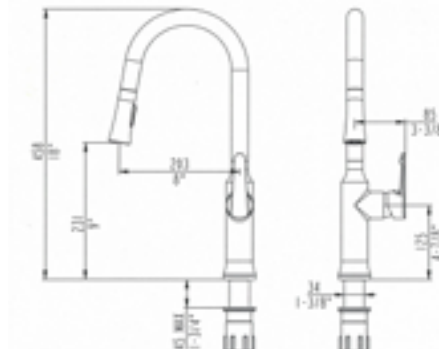
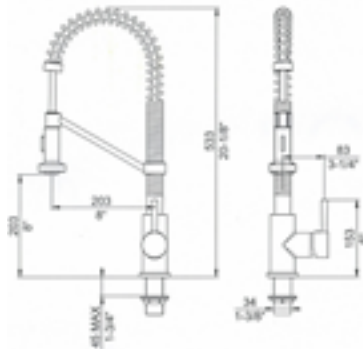
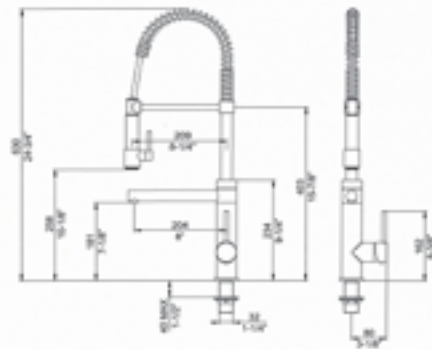
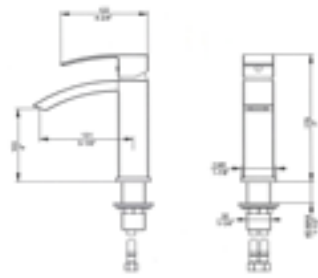
**ITEM CODE** 88420 BN  
**FINISH** BRUSHED NICKEL

**ITEM CODE** 88420 CH  
**FINISH** CHROME



**ITEM CODE** 88402 BN  
**FINISH** BRUSHED NICKEL

**ITEM CODE** 88402 CH  
**FINISH** CHROME



- All faucet collections are available in three finishes

# SINK

Collection

DESIGN BY DIVINE CABINETRY

DIVINE CABINETRY

2025

DESIGN BY DIVINE CABINETRY

CATALOG



# HANDMADE SINK

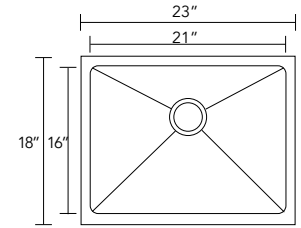
Collection



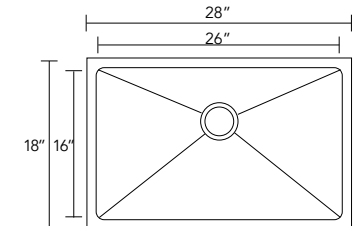
**FINISHING** Shiny - Brilliant  
**SIPHON HOLE** 3-1/2"  
**THICKNESS** 18 Gauge  
**MOUNT** Available for under & top mount  
**STRAINER AND GRID** Including



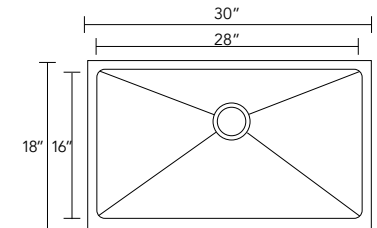
**ITEM CODE** CUHM 2318  
**DIMENSION** 23"x18"  
**BOWL DEPTH** 10 Inch  
**CABINET SIZE** 24 Inch



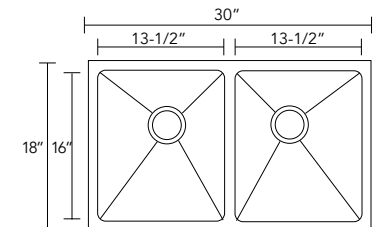
**ITEM CODE** CUHM 2818S  
**DIMENSION** 28"x18"  
**BOWL DEPTH** 10 Inch  
**CABINET SIZE** 30 Inch



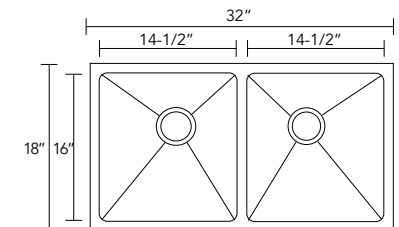
**ITEM CODE** CUHM 3018S  
**DIMENSION** 30"x18"  
**BOWL DEPTH** 10 Inch  
**CABINET SIZE** 33 Inch



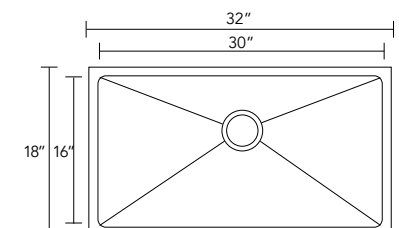
**ITEM CODE** CUHM 3018D  
**DIMENSION** 30"x18"  
**BOWL DEPTH** 10 Inch  
**CABINET SIZE** 33 Inch



**ITEM CODE** CUHM 3218D  
**DIMENSION** 32"x18"  
**BOWL DEPTH** 10 Inch  
**CABINET SIZE** 33 Inch



**ITEM CODE** CUHM 3218D  
**DIMENSION** 32"x18"  
**BOWL DEPTH** 10 Inch  
**CABINET SIZE** 33 Inch



# HANDLE

Collection

94



ITEM CODE	CENTRE TO CENTRE	WEIGHT
DV765192143	192	220
DV765128143	128	147

**COLOR:** BLACK BRUSHED NICKEL



ITEM CODE	CENTRE TO CENTRE	WEIGHT
DV801192140	192	44
DV801128140	128	38

**COLOR:** OXIDATION BRUSHED



ITEM CODE	CENTRE TO CENTRE	WEIGHT
DV2323192195	192	78
DV2323128195	128	58

**COLOR:** BRUSHED NICKEL



ITEM CODE	CENTRE TO CENTRE	WEIGHT
DV1120160	160	169
DV112096	96	125

**COLOR:** BRUSHED NICKEL



ITEM CODE	CENTRE TO CENTRE	WEIGHT
DV2798192	192	169
DV2798128	128	125

**COLOR:** MATT BLACK

95



ITEM CODE	CENTRE TO CENTRE	WEIGHT
DV8826160	160	
DV882696	96	

**COLOR:** MATT BLACK



ITEM CODE	CENTRE TO CENTRE	WEIGHT
DV21471	128	45

**COLOR:** BRUSHED NICKEL



ITEM CODE	CENTRE TO CENTRE	WEIGHT
DV811128195	128	120

**COLOR:** BRUSHED NICKEL



ITEM CODE	CENTRE TO CENTRE	WEIGHT
DV2025	N/A	

**COLOR:** MATT BLACK



ITEM CODE	CENTRE TO CENTRE	WEIGHT
DVPIN1901	N/A	46

**COLOR:** BRUSHED NICKEL



ITEM CODE	CENTRE TO CENTRE	MOQ
DVSW1902	N/A	100 QTY

**COLOR:** AMERICAN SCREW

# ORGANIZER

Collection



# ORGANIZER

Collection

**BDO 24**



ITEM CODE	DIMENSIONS
BDO24	19Wx3Hx19-3/4D

\*can be cut to fit B12, B15, B18 and B21 drawers

**BDO 36**



ITEM CODE	DIMENSIONS
BDO36	31Wx3Hx19-3/4D

\*can be cut to fit B27, B30 and B33 drawers



**APPLIED B12**  
**DIMENSION** 7Wx3Hx19-3/4D  
**ORDER ITEM** BDO24



**APPLIED B15**  
**DIMENSION** 10Wx3Hx19-3/4D  
**ORDER ITEM** BDO24



**APPLIED B27**  
**DIMENSION** 22Wx3Hx19-3/4D  
**ORDER ITEM** BDO36



**APPLIED B30**  
**DIMENSION** 25Wx3Hx19-3/4D  
**ORDER ITEM** BDO36



**APPLIED B18**  
**DIMENSION** 13Wx3Hx19-3/4D  
**ORDER ITEM** BDO24



**APPLIED B21**  
**DIMENSION** 16Wx3Hx19-3/4D  
**ORDER ITEM** BDO24



**APPLIED B33**  
**DIMENSION** 28Wx3Hx19-3/4D  
**ORDER ITEM** BDO36

# ORGANIZER

Collection

**BDT 2**



ITEM CODE	DIMENSIONS
BDT2	2Wx3Hx19-3/4D

\*can be combined to fit B30, B33 and B36 drawers

**BDT 3**



ITEM CODE	DIMENSIONS
BDT3	3Wx3Hx19-3/4D

\*can be combined to fit B21, B24 and B27 drawers

**BDT 4**



ITEM CODE	DIMENSIONS
BDT4	4Wx3Hx19-3/4D

\*can be combined to fit B30 and B36 drawers

**BDT 18**



ITEM CODE	DIMENSIONS
BDT18	13Wx3Hx19-3/4D

\*applied to fit B18 drawers  
\*can be combined to fit B21 to B36 drawers



**APPLIED B21**  
**DIMENSION** 16Wx3Hx19-3/4D  
**ORDER ITEM** BDT18+BDT3



**APPLIED B24**  
**DIMENSION** 19Wx3Hx19-3/4D  
**ORDER ITEM** BDT3+BDT18+BDT3



**APPLIED B27**  
**DIMENSION** 22Wx3Hx19-3/4D  
**ORDER ITEM** BDT3+BDT3+BDT18+BDT3



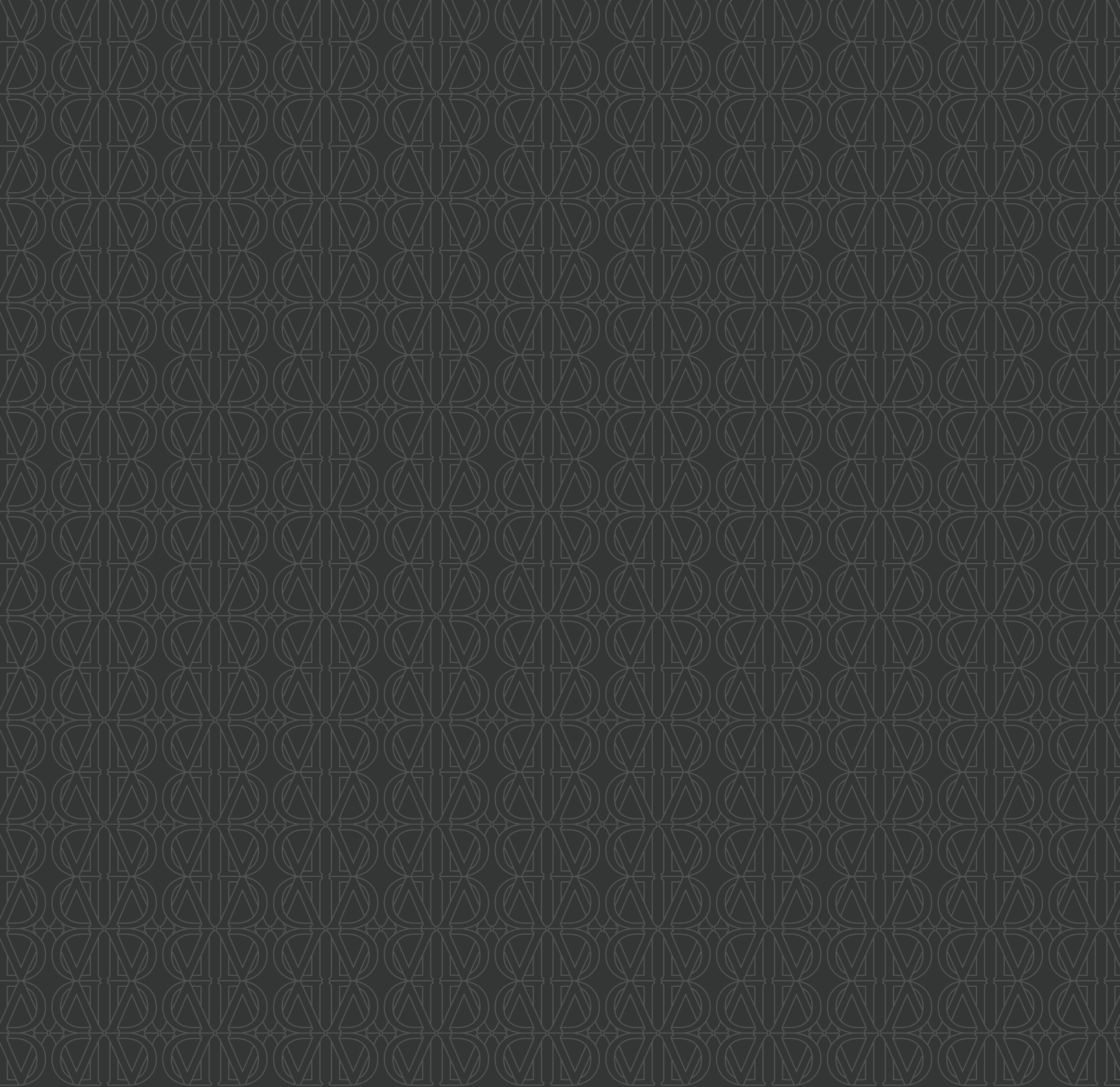
**APPLIED B30**  
**DIMENSION** 25Wx3Hx19-3/4D  
**ORDER ITEM** BDT2+BDT4+BDT18+BDT4+BDT2



**APPLIED B33**  
**DIMENSION** 28Wx3Hx19-3/4D  
**ORDER ITEM** BDT18+BDT2+BDT18



**APPLIED B36**  
**DIMENSION** 31Wx3Hx19-3/4D  
**ORDER ITEM** BDT18+BDT4+BDT2+BDT18



**DIVINE** CABINETRY INC.

**ADDRESS:** 6125-6135 Boul Metropolitan, Saint-Leonard, QC H1P 1X7

**WEBSITE:** [www.divinecabinetry.com](http://www.divinecabinetry.com)

**E-MAIL:** [info@divinecabinetry.com](mailto:info@divinecabinetry.com)